

ONE (1) VICTORY 75K TRAILER MOUNTED STEAM GENERATOR

BOILER HEATING SURFACE:

TOTAL 4,788 SQ. FT.  
CONVECTION 4,080 SQ. FT.  
FURNACE 708 SQ. FT.

CAPACITY: 75,000 LB./HR. MAX. CONT.

FEEDWATER TEMPERATURE: 212° F.  
DESIGN PRESSURE: 350 PSIG  
OPERATING PRESSURE: 100-310 PSIG

FUELS: NATURAL GAS, NO. 2 DIESEL OIL

BURNER: PEABODY ENGINEERING

BURNER MANAGEMENT SYSTEM: BY OTHERS

COMBUSTION CONTROL SYSTEM: CHICAGO BLOWER DR EQUIVALENT

FUEL FAN & DRIVE: 3 PH 60 HZ 480 V

POWER SUPPLY: BOILER SHIPPING - 83,000 LBS.

WEIGHTS: BOILER SHIPPING - 83,000 LBS.

INSTALLATION: OUTDOORS

BOILER FLUE GAS OUTLET IS 304SS AND IS NOT PAINTED.

CASINGS:

FRONT SEAL & SUPPORT: 1/4" CARBON STEEL

FRONT WALL LAGGING: 12 GA CARBON STEEL

REAR CASING: 12 GA CARBON STEEL

REAR WALL LAGGING: 12 GA CARBON STEEL

ROOF: 12 GA CARBON STEEL

DRUM: 22 GA CARBON STEEL

DRUM HEADS: BARE

DRUMS:

UPPER: SA-516 GR. 70

LOWER: SA-516 GR. 70

TUBES:

FURNACE MEMBRANE TUBES: 2" x 0.120" WALL

SA-178-A ERV

CONNECTION BANK TUBES: 2" x 0.105" WALL

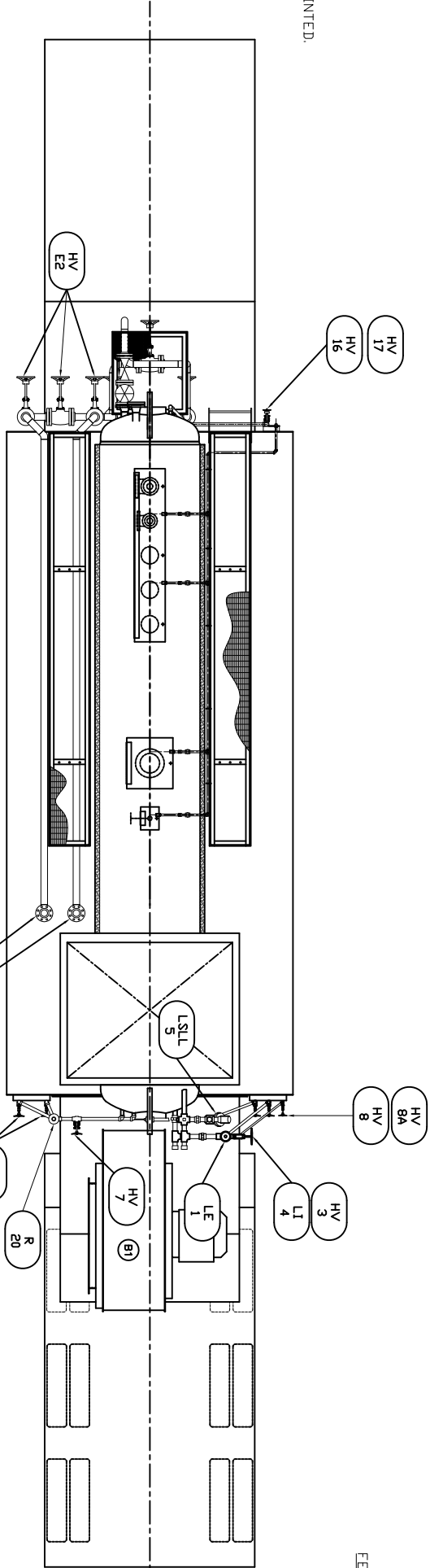
SA-178-A ERV

WELDED FRONT AND REAR WALL: 2" x 0.120" WALL

SA-178-A ERV

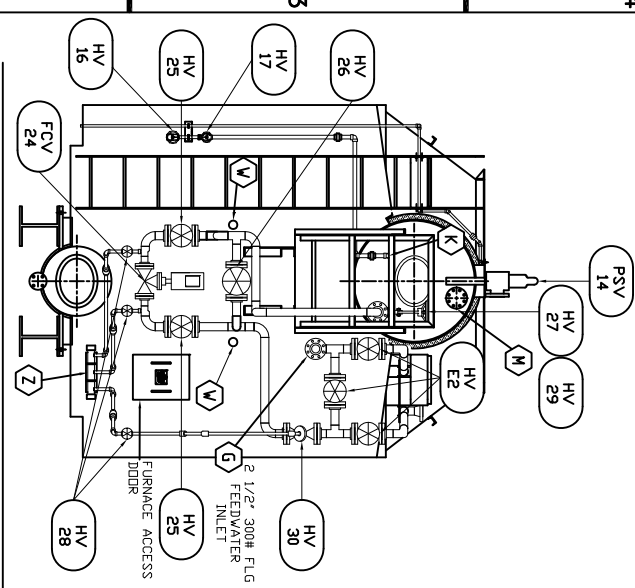
OUTER MEMBRANE WALL: 2" x 0.120" WALL

SA-178-A ERV

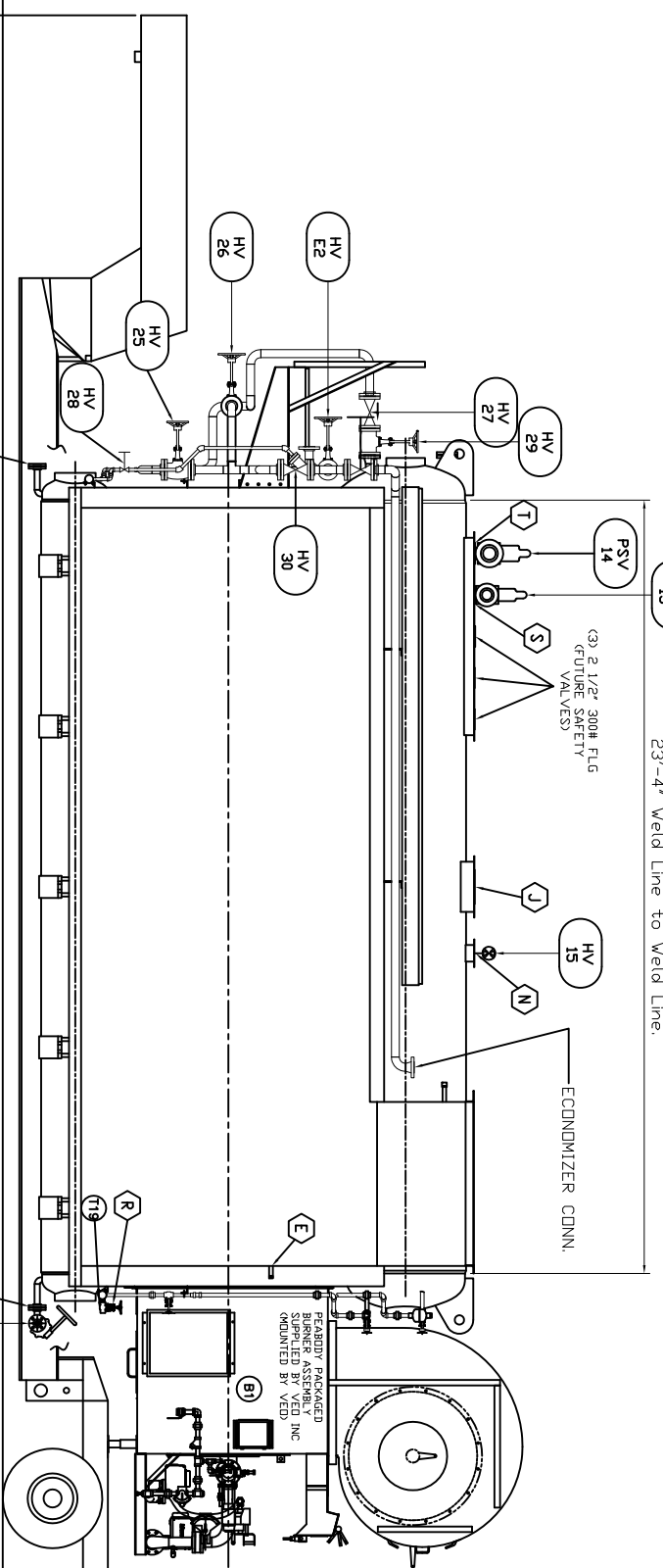


PLAN VIEW

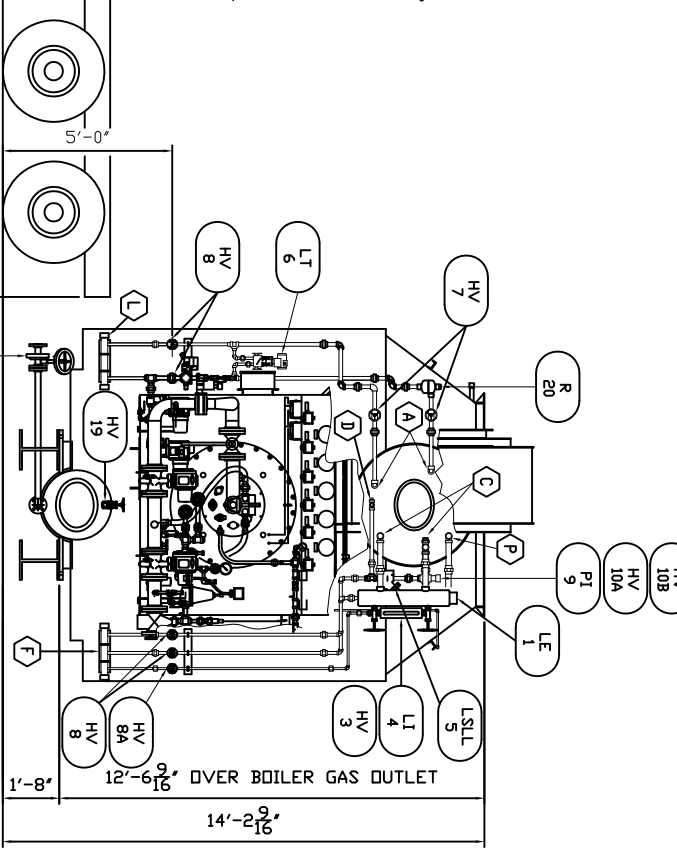
23'-4" Weld Line to Weld Line.



TARGET END VIEW



SIDE VIEW



BURNER END VIEW

MARK	DESCRIPTION	QTY.	SIZE	TYPE	MARK	DESCRIPTION	QTY.	SIZE	TYPE
A	DRUM LEVEL TRANSMITTER (CUTSOWER TO SUPPLY)	1	1"	NPT	P	AIR/MIXING STEAM	1	1"	NPT
B	STEAM GAUGE (SUPPLIED BY VENDOR)	1	-	-	U	AUX BOILER DRAIN (GLIND FLANGED)	1	1/2"	300# RF FLG
C	WATER COLUMN	2	1 1/2"	NPT	V	OBSERVATION PORT AIR	2	2"	NPT
D	AUX. LOW WATER CUTOFF	1	1"	NPT	Z	FEEDWATER SYSTEM DRAIN	1	2"	NPT
E	FURNACE PRESSURE	1	1"	NPT					
F	VTR OIL & ALVOI DRAIN	1	1"	NPT					
G	FEEDWATER INLET	1	2 1/2"	300# RF FLG					
H	INSPECTOR'S TEST & DRAIN VALVES (STEAM GAUGED)	1	1/2"	NPT					
J	STEAM OUTLET	1	6"	300# RF FLG					
K	CONTINUOUS BLOWDOWN	1	1"	NPT					
L	D.L.T. DRAIN	1	2"	NPT					
M	FUTURE SMOOD BLOWER	1	2 1/2"	300# RF FLG					
N	VENT	1	1"	NPT					
O	BOILER BLOWOFF	1	1 1/2"	300# RF FLG					
R	CHEMICAL FEED	1	1"	NPT					
S	PRESSURE SAFETY VALVE	1	2"	300# RF FLG					
T	PRESSURE SAFETY VALVE	1	2 1/2"	300# RF FLG					

MARK	DESCRIPTION	QTY.	SIZE	TYPE	MARK	DESCRIPTION	QTY.	SIZE	TYPE
P	AIR/MIXING STEAM	1	1"	NPT					
U	AUX BOILER DRAIN (GLIND FLANGED)	1	1/2"	300# RF FLG					
V	OBSERVATION PORT AIR	2	2"	NPT					
Z	FEEDWATER SYSTEM DRAIN	1	2"	NPT					

THIS DESIGN OR DRAWING IS NOT SOLD AND IS SUBJECT TO RECALL. REPRODUCTION OR COPYING RIGHTS ARE RESERVED SOLELY TO VICTORY ENERGY SERVICES, LLC. THE DRAWING HAS BEEN VALIDATED AND RECEIVED IN THE EXPRESS COMMENTS THAT IS VALIDATED IN ANY MANNER BY THE INTERESTED PARTIES AND BEING OF VICTORY ENERGY SERVICES, LLC. NO OTHER INFORMATION OR COMMENTS OF IT OR ANY OTHER PARTY SHALL BE HELD IN CONFIDENCE. THIS DRAWING IS THE PROPERTY OF VICTORY ENERGY SERVICES, LLC. ANY INFORMATION DISCLOSED BY THIS DRAWING TO THE HOLDER SHALL BE HELD IN CONFIDENCE.

REV.	BY	DATE	CHK'D	DATE	DESCRIPTION
1	TRIGLAR	11/3/06	CS	11.06	ADDED PAINT TAGS, REVISED PIPING, AND PAINT SPECS

**VICTORY ENERGY**  
10701 E. 128th St. North, Collierville, TN 37021  
PH: 916-874-0023 FAX: 916-874-0059

cust./proj #: VEO STOCK UNIT #1 / J-VE-395  
title: GENERAL ARRANGEMENT DRAWING  
by: JC Maco chd'd date: 04/01/05  
scale: 3/8" = 1'-0"  
dwg. no.: 01-395-01  
rev: 1